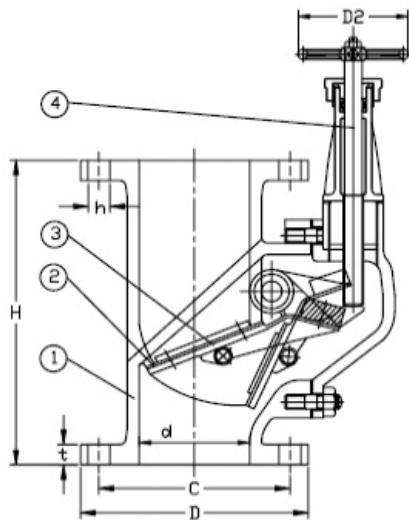




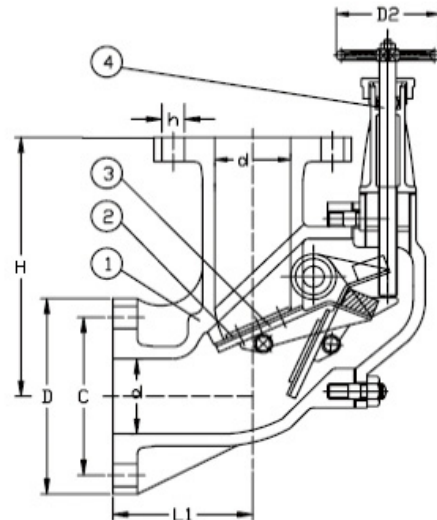
MARINE CAST STEEL VERTICAL STORM VALVE - JIS F3058/F3060

MARINE CAST STEEL ANGLE STORM VALVE - JIS F3058/F3060

Manufactured in accordance to JIS F7400
Flanges as per JIS B2220



<VERTICAL STORM VALVE>



<ANGLE STORM VALVE>

No.	Component	Material
1	Body	Cast Steel
2	Seat	Rubber
3	Disc	Bronze
4	Stem	Stainless Steel

	Test Pressure MPa[kgf/cm ²]
50 to 200	5.1

Size	5K VERTICAL STORM VALVE - JIS F3058/3060									5K ANGLE STORM VALVE - JIS F3058/3060								
	H	D	C	No.	h	t	L1	D2	Kg	H	D	C	No.	h	t	L1	D2	Kg
50A	210	130	105	4	15	14	-	100	10 / 11.5	170	130	105	4	15	14	90	100	11.5 / 13.9
65A	240	155	130	4	15	14	-	100	15 / 16.5	200	155	130	4	15	14	110	100	17.1 / 19.9
80A	260	180	145	4	19	14	-	125	20 / 21.6	220	180	145	4	19	14	120	125	22 / 26
100A	280	200	165	8	19	16	-	125	28 / 29.6	250	200	165	8	19	16	130	125	32.2 / 35.6
125A	330	235	200	8	19	16	-	125	42 / 43.6	270	235	200	8	19	16	150	125	46.6 / 52.4
150A	360	265	230	8	19	18	-	125	50 / 51.6	310	265	230	8	19	18	170	125	55.4 / 63.2
200A	459	320	280	8	23	20	-	125	99 / 106.5	400	320	280	8	23	20	190	125	121 / 148